

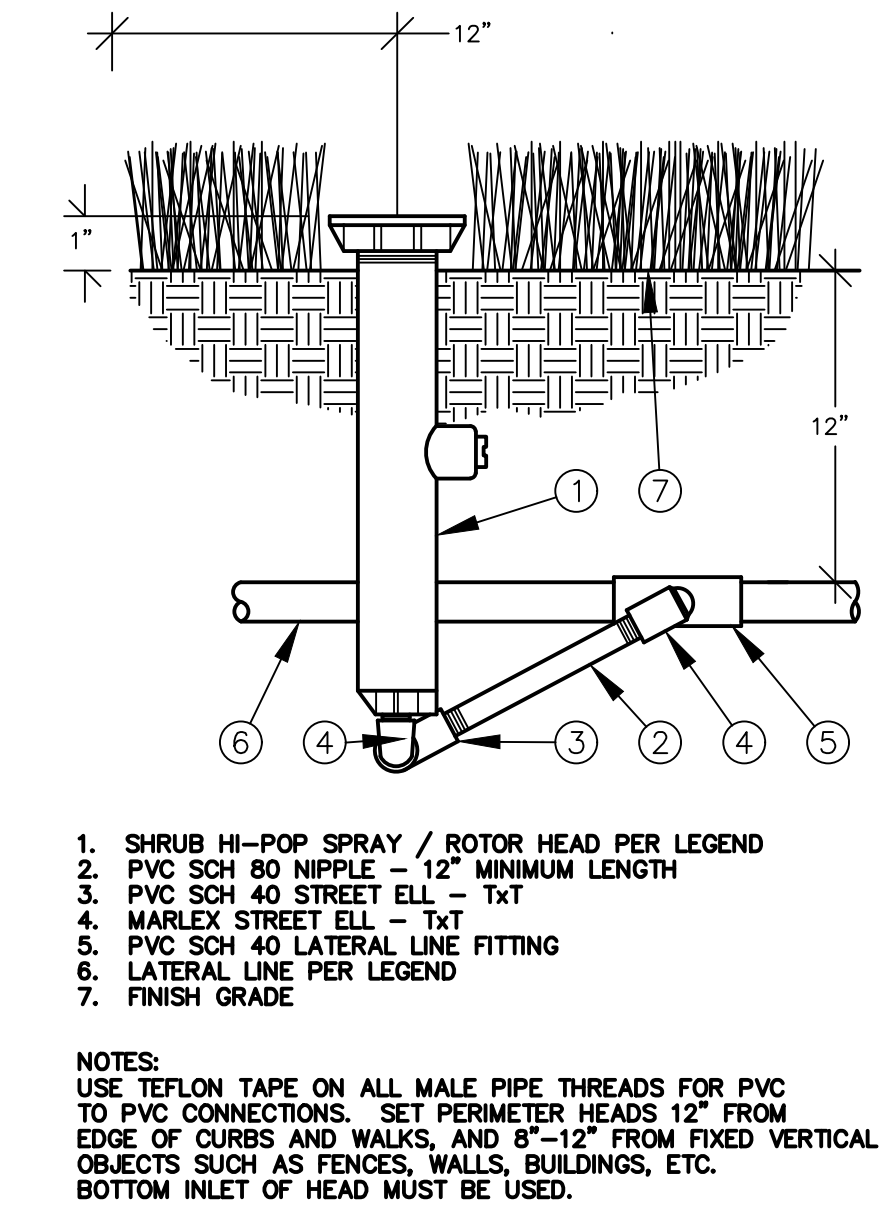
REVISIONS	BY
REV 12/18/16	



S.D. CO. W.A. HEADQUARTERS
4677 OVERLAND AVE. SAN DIEGO, CALIFORNIA

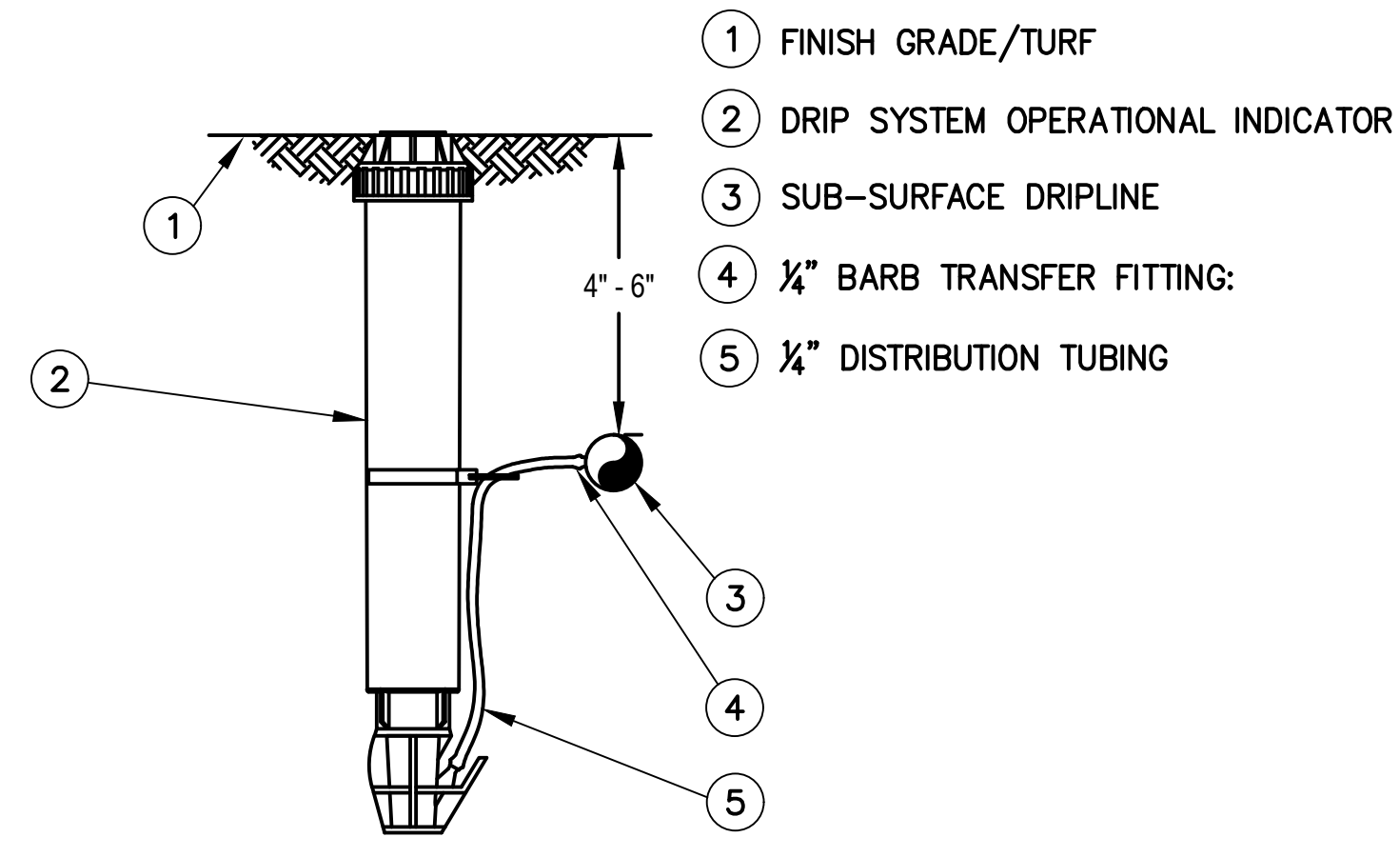
DRAWN	
CHECKED	DATE
	12-18-16
SCALE	
JOB NO.	065-18-SDCWA
SHEET	4
OF	5 SHEETS

IRRIGATION DETAILS



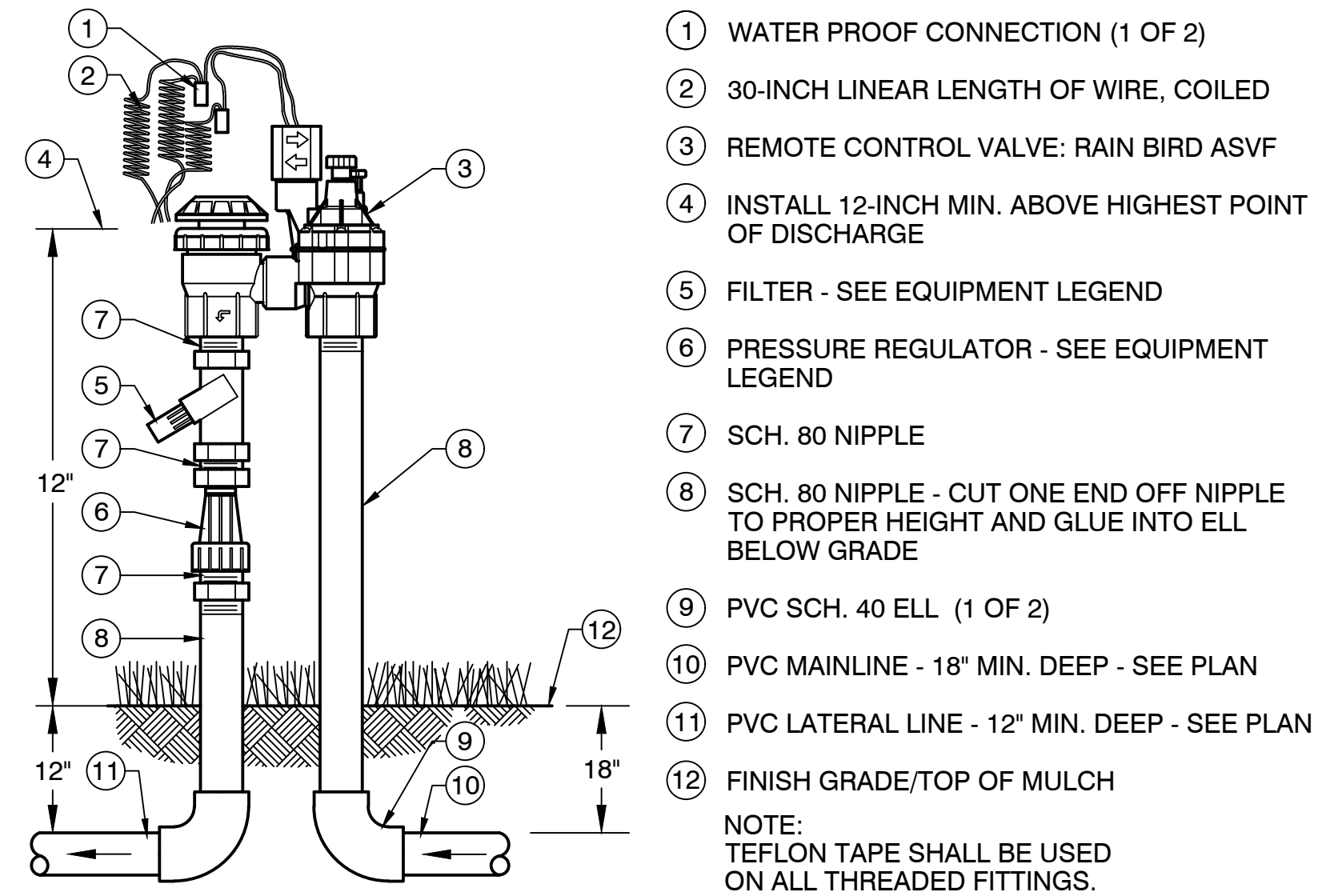
1. SHRUB HI-POP SPRAY / ROTOR HEAD PER LEGEND
 2. PVC SCH 80 NIPPLE - 12" MINIMUM LENGTH
 3. PVC SCH 40 STREET ELL - T&T
 4. MARXELL STREET ELL - T&T
 5. PVC SCH 40 LATERAL LINE FITTING
 6. LATERAL LINE PER LEGEND
 7. FINISH GRADE
- NOTE:
USE TEFLON TAPE ON ALL MALE PIPE THREADS FOR PVC TO PVC CONNECTIONS. SET PERIMETER HEADS 12" FROM EDGE OF CURBS AND WALKS, AND 8"-12" FROM FIXED VERTICAL OBJECTS SUCH AS FENCES, WALLS, BUILDINGS, ETC. BOTTOM INLET OF HEAD MUST BE USED.

D SHRUB HI-POP HEAD SCALE: N.T.S.



1. FINISH GRADE/TURF
2. DRIP SYSTEM OPERATIONAL INDICATOR
3. SUB-SURFACE DRILINE
4. 1/2" BARB TRANSFER FITTING
5. 1/2" DISTRIBUTION TUBING

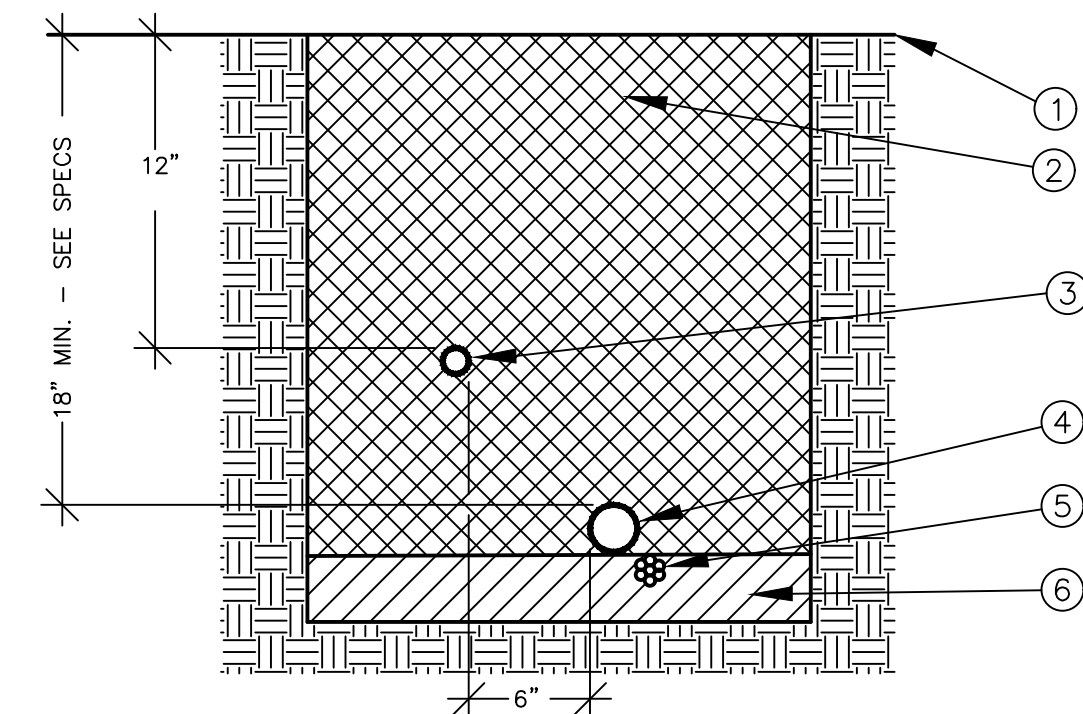
C DRIP INDICATOR SCALE: N.T.S.



1. WATER PROOF CONNECTION (1 OF 2)
 2. 30-INCH LINEAR LENGTH OF WIRE, COILED
 3. REMOTE CONTROL VALVE: RAIN BIRD ASVF
 4. INSTALL 12-INCH MIN. ABOVE HIGHEST POINT OF DISCHARGE
 5. FILTER - SEE EQUIPMENT LEGEND
 6. PRESSURE REGULATOR - SEE EQUIPMENT LEGEND
 7. SCH. 80 NIPPLE
 8. SCH. 80 NIPPLE - CUT ONE END OFF NIPPLE TO PROPER HEIGHT AND GLUE INTO ELL BELOW GRADE
 9. PVC SCH. 40 ELL (1 OF 2)
 10. PVC MAINLINE - 18" MIN. DEEP - SEE PLAN
 11. PVC LATERAL LINE - 12" MIN. DEEP - SEE PLAN
 12. FINISH GRADE/TOP OF MULCH
- NOTE:
TEFLON TAPE SHALL BE USED ON ALL THREADED FITTINGS.

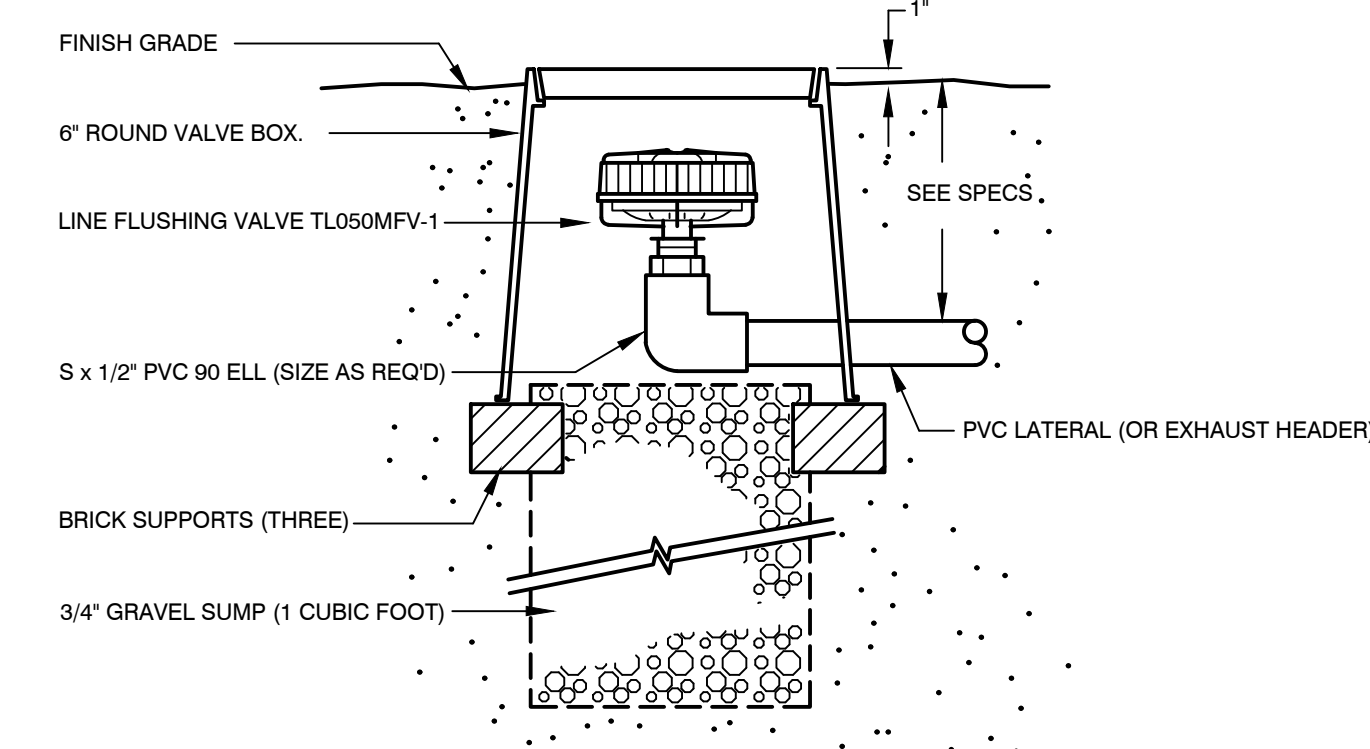
*INSTALL ONE VALVE WITH DRIP KIT AND ONE WITHOUT. MANIFOLD TWO VALVES TOGETHER IN HORSESHOE LOOP AND ANCHOR SECURELY IN COMPACTED SUB-GRADE.

B DEMONSTRATION ANTI-SIPHON CONTROL VALVES SCALE: N.T.S. NOT TO SCALE



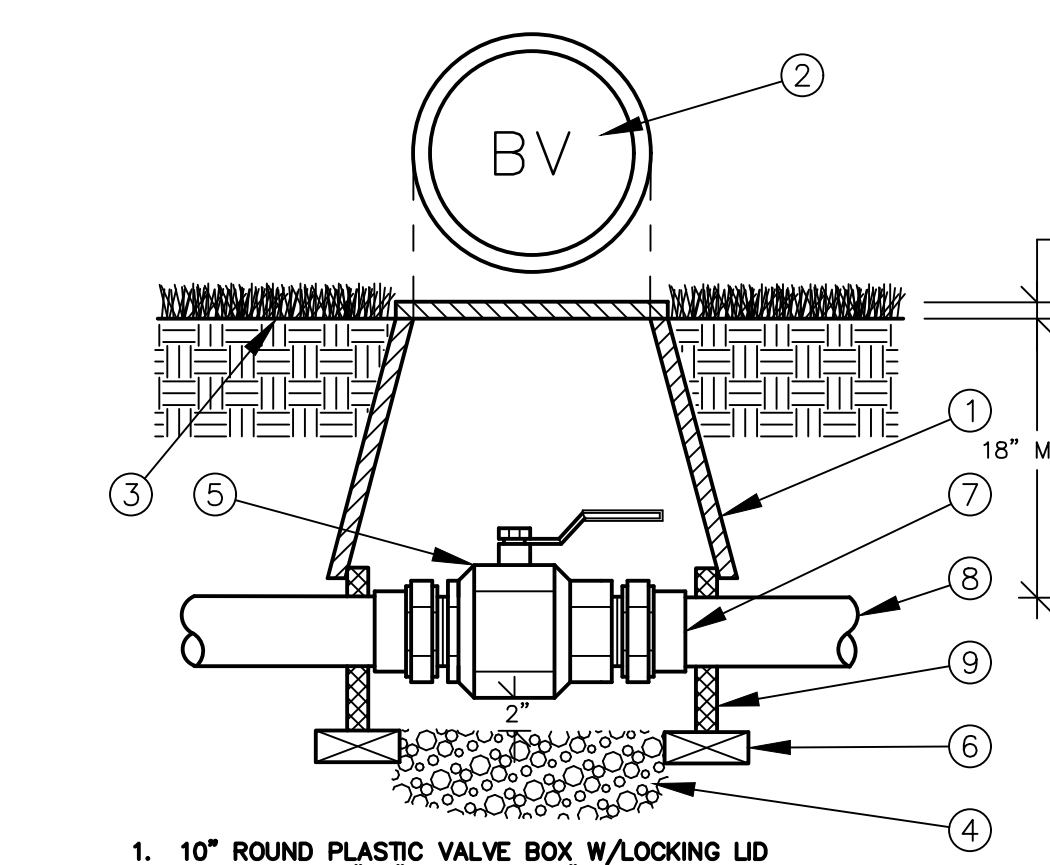
1. FINISH GRADE
2. CLEAN BACKFILL - 80% COMPACTION REQUIRED - SEE SPECS
3. SCH. 40 NON-PRESSURE LATERAL
4. SCH. 40 PRESSURE SUPPLY MAINLINE PER LEGEND
5. CONTROL WIRES - INSTALL BELOW PRESSURE SUPPLY LINE
6. PROVIDE 2" OF CLEAN SAND BELOW PRESSURE MAINLINE

F TRENCHING SCALE: N.T.S.



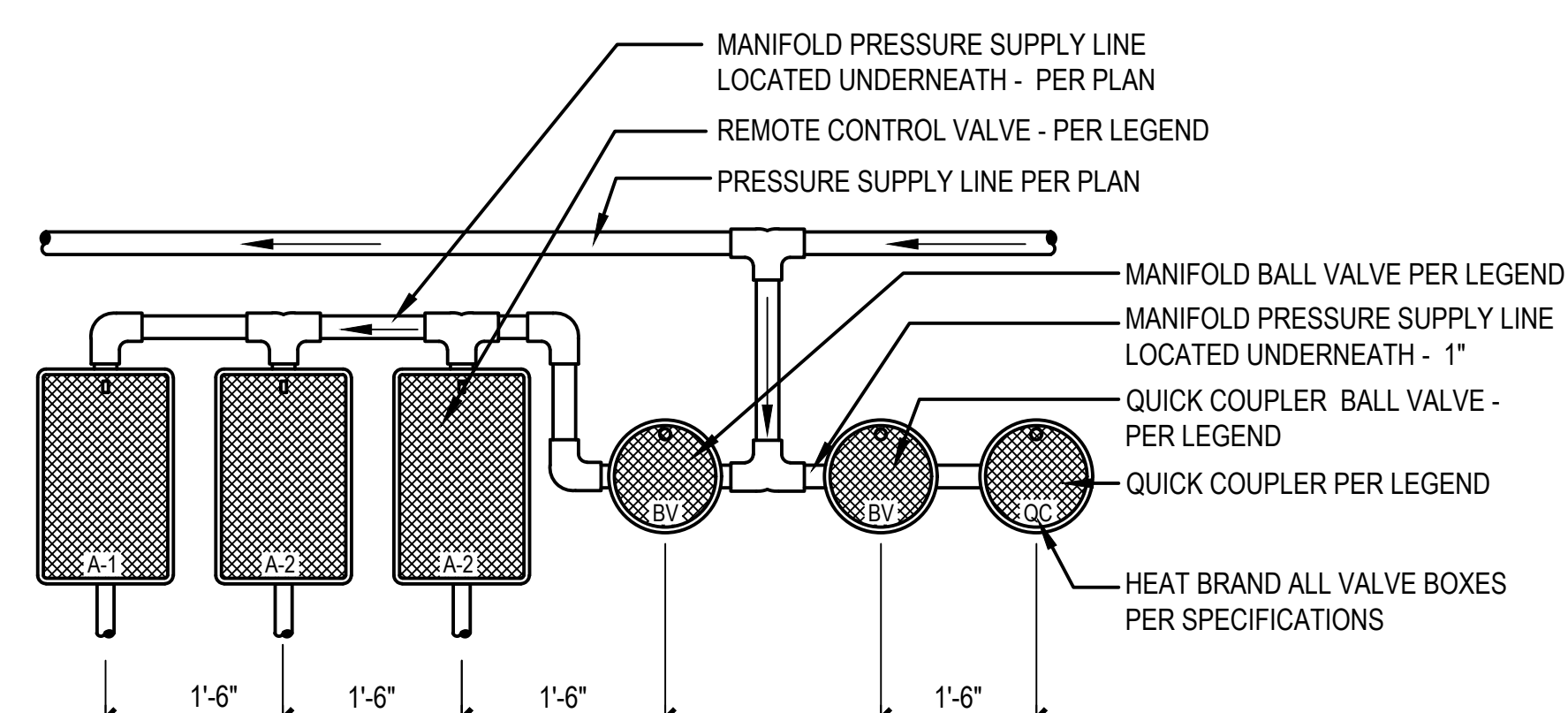
1. FINISH GRADE
2. CLEAN BACKFILL - 80% COMPACTION REQUIRED - SEE SPECS
3. SCH. 40 NON-PRESSURE LATERAL
4. SCH. 40 PRESSURE SUPPLY MAINLINE PER LEGEND
5. CONTROL WIRES - INSTALL BELOW PRESSURE SUPPLY LINE
6. PROVIDE 2" OF CLEAN SAND BELOW PRESSURE MAINLINE

G FLUSH VALVE SCALE: N.T.S.



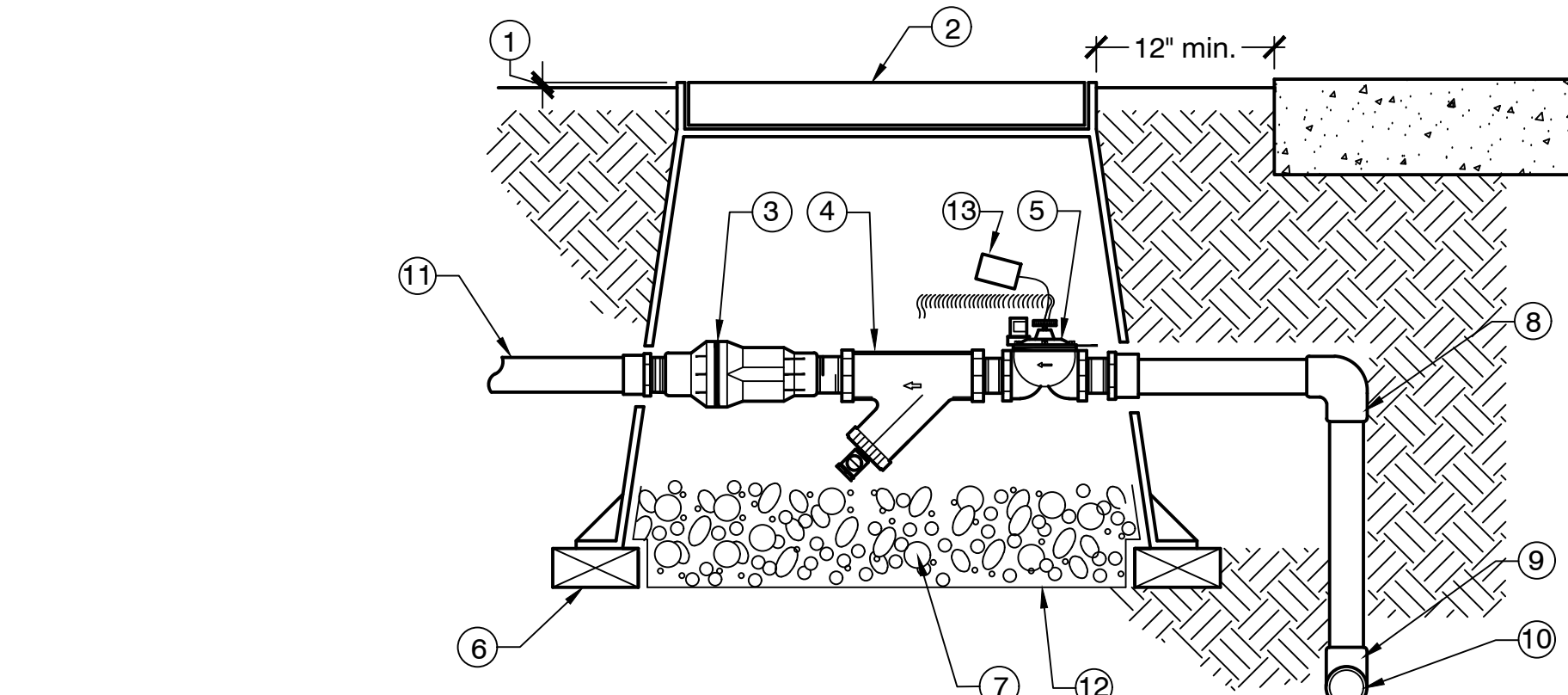
1. 10" ROUND PLASTIC VALVE BOX W/LOCKING LID
2. HEAT BRAND "BV" ON LID IN 2" HIGH CHARACTERS
3. FINISH GRADE
4. 3/4" CRUSHED ROCK - 4" DEPTH
5. BALL VALVE PER IRRIGATION PLAN
6. COMMON BRICK - 4 REQUIRED
7. SCH 40 PVC MALE ADAPTER - 2 REQUIRED
8. MAINLINE PIPING PER IRRIGATION PLAN
9. VALVE BOX EXTENSION(S) AS REQUIRED
10. 1/2" IN TURF AREAS AND 2" IN SHRUB AREAS
11. USE TEFLON TAPE ON ALL MALE PIPE THREADS.

H BALL VALVE SCALE: N.T.S.



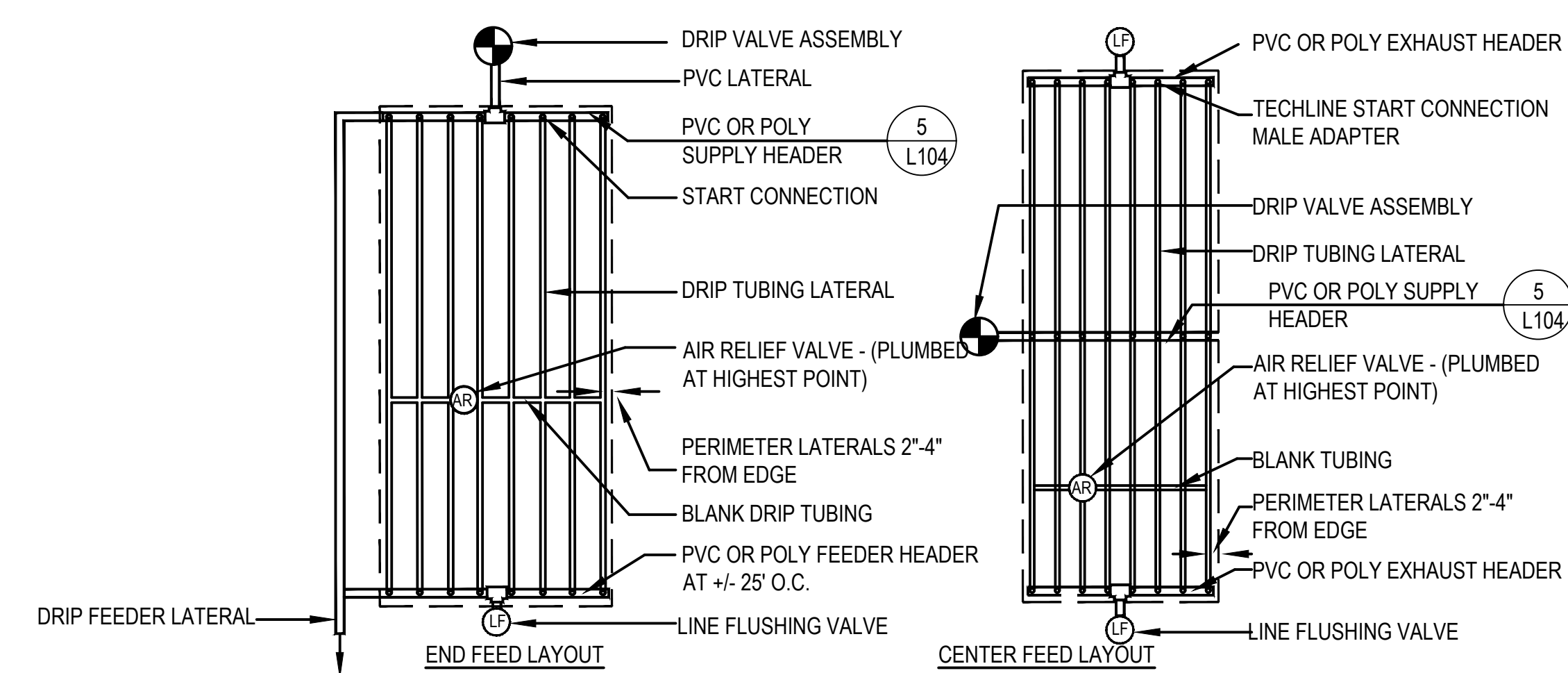
NOTE: NO MORE THAN 4 REMOTE CONTROL VALVES ARE TO BE INSTALLED PER MANIFOLD. ALL MANIFOLDS ARE TO BE INSTALLED IN PLANTER AREAS PER SPECIFICATIONS.

L VALVE MANIFOLD SCALE: N.T.S.

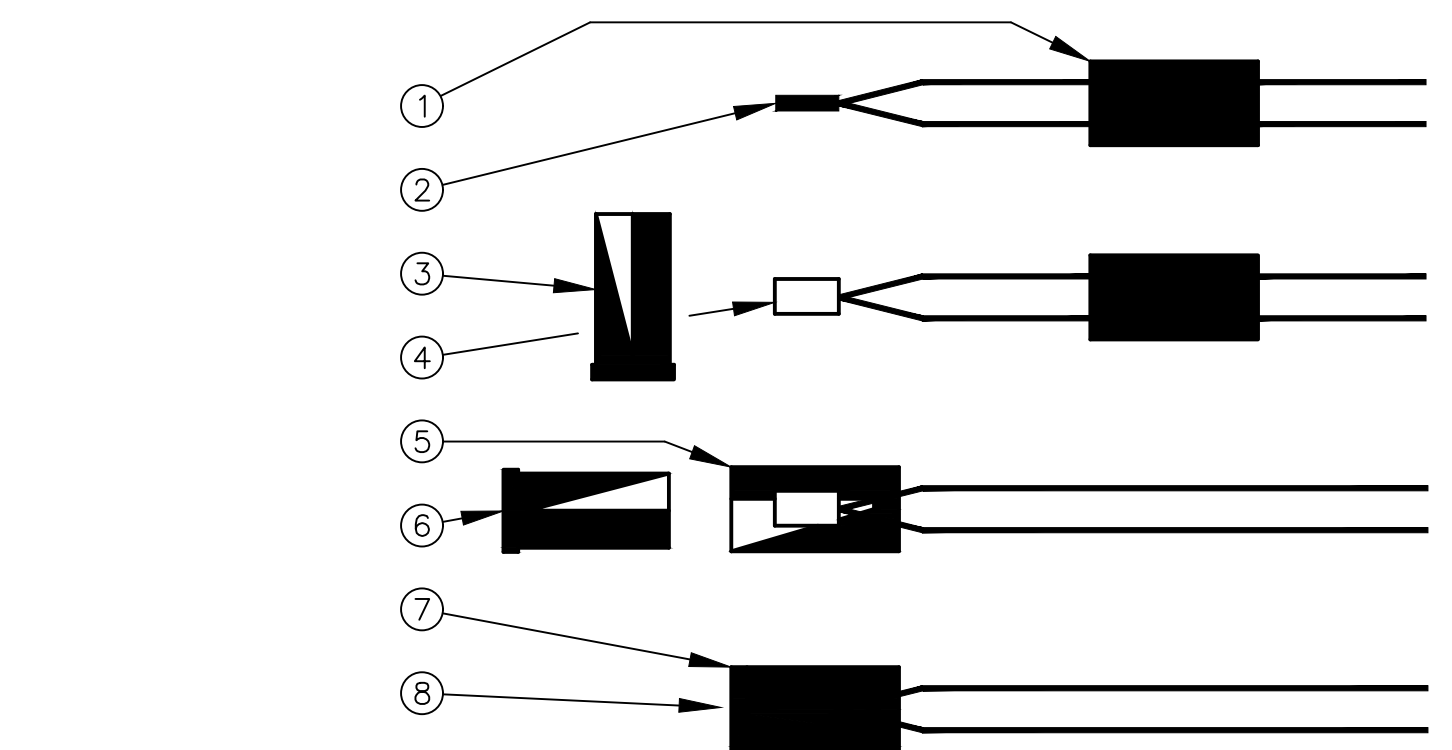


1. FINISHED GRADE
2. PLASTIC VALVE BOX (AMETEK OR EQUAL)
3. PRESSURE REGULATOR
4. WYE FILTER (INSTALL IN A MANNER TO ALLOW ACCESS FOR CLEANING)
5. REMOTE CONTROL VALVE
6. BRICK SUPPORTS
7. 1/2 C.F. - 3/4" CRUSHED GRAVEL IN BASE OF BOX
8. PVC SCH. 40 T x T ELL
9. PVC SCH. 80 NIPPLE
10. PVC PRESSURE MAINLINE
11. PVC LATERAL LINE TO DRIP SYSTEM
12. LANDSCAPE FABRIC
13. VALVE I.D. TAG

A DRIP CONTROL VALVE SCALE: N.T.S.



E INLINE DRIP LAYOUT SCALE: N.T.S.



1. SLIP BASE SOCKET OVER END OF WIRES
2. STRIP WIRES APPROX. 5/8" FROM ENDS - TWIST TOGETHER
3. APPLY SEALER TO OUTSIDE OF SEALING PLUG AND FILL CAVITY WITH SEALER
4. PUT CRIMP END OVER WIRE ENDS - CRIMP SLEEVE AND CUT OFF EXCESS WIRE
5. PULL BASE SOCKET OVER END OF WIRES AS FAR AS POSSIBLE
6. PUSH SEALING PLUG INTO BASE SOCKET
7. PUSH WIRES TO END OF BASE SOCKET TO ENSURE COMPLETE SEALING OF CONNECTION
8. COMPLETED WATERPROOF WIRE CONNECTION

I WIRE CONNECTOR SCALE: N.T.S.

J OMIT SCALE: N.T.S.

K OMIT SCALE: N.T.S.